

THREE-PHASE-ASYNCHRONOUS-MOTOR FCPR 315 MA 4 /PHE

IE3AC31MA407

General data

Type of motor	3~
Type designation	FCPR
Frame size	315
Mounting	B35
Frame execution	M
Frame material	Grauguß
Insulationclass	F/B
Terminal box location	right DE
Terminal box orientation	cable gland to the bottom side
Weight (kg)	1033
Rotation Direction	right /left
Vibration level	A
Balancing method	half key
cooling type	IC411
Executed acc. to	IEC 60034-1
noise level	IEC 60034-9

Influential factors

Duty	S1
Ambient temperature (°C)	-20 up to +40
Height of location (m)	1000

Electrical specification

Power 1 50Hz (kW)	132
Power 1 60Hz (kW)	132
Frequency (Hz)	50/60
Voltage 50Hz (V)	400/690
Voltage 60Hz (V)	460/795
Voltage/Frequency tolerance (not valid for range voltage)	+/-10%
Connection	Δ/Y
Poles	4
Efficiency 100% 50Hz (%)	95,6
Efficiency 75% 50Hz (%)	95,6
Efficiency 50% 50Hz (%)	93,7
Efficiency 100% 60Hz (%)	96,2
Efficiency 75% 60Hz (%)	96,2
Efficiency 50% 60Hz (%)	94,3
Power factor	0,89
Starting current factor	6,9
Starting torque factor	2,2
Tilting moment factor	2,2
Rated current 50Hz (A)	223,92/129,81
Rated current 60Hz (A)	193,51/112,24
Eff.Cl.50Hz	IE3

Electrical specification

Eff.Cl.60Hz	IE3
-------------	-----

Mechanical data

Torque (Nm)	847,18/706,22
Rotation speed (1/min)	1488/1785
Bearing DE	6319.C3
Bearing NDE	6319.C3
Mounting of bearing DE	loose bearing
Mounting of bearing NDE	fixed bearing
Bearing lifetime	20000
allow. Radial load (X/2)	15500
allow. Radial load (X0)	22000
allow. Radial load (Xmax)	9000
allow. Axial load B3,B5,B35,B14,B34	7875
allow. Axial load V1,V3,V19,V18	4430
Moment of inertia	3,65

Motor properties

Color	RAL7030
Paint surface	shiny
Protection class	IP55
Cable gland size (cable connection)	2xM63x1,5
Cable gland size (option)	M20x1,5
Cable gland type	Standard
Shaft end	80 x 170
Shaft material	C45
Specification NDE	Plastic fan
Flange	660

Additional operating points

Voltage operating point 2	460/795
Power operating point 2 (kW)	158.4
Connection operating point 2	Δ/Y
Frequency operating point 2	60
Efficiency class operating point 2	IE2

Additional option

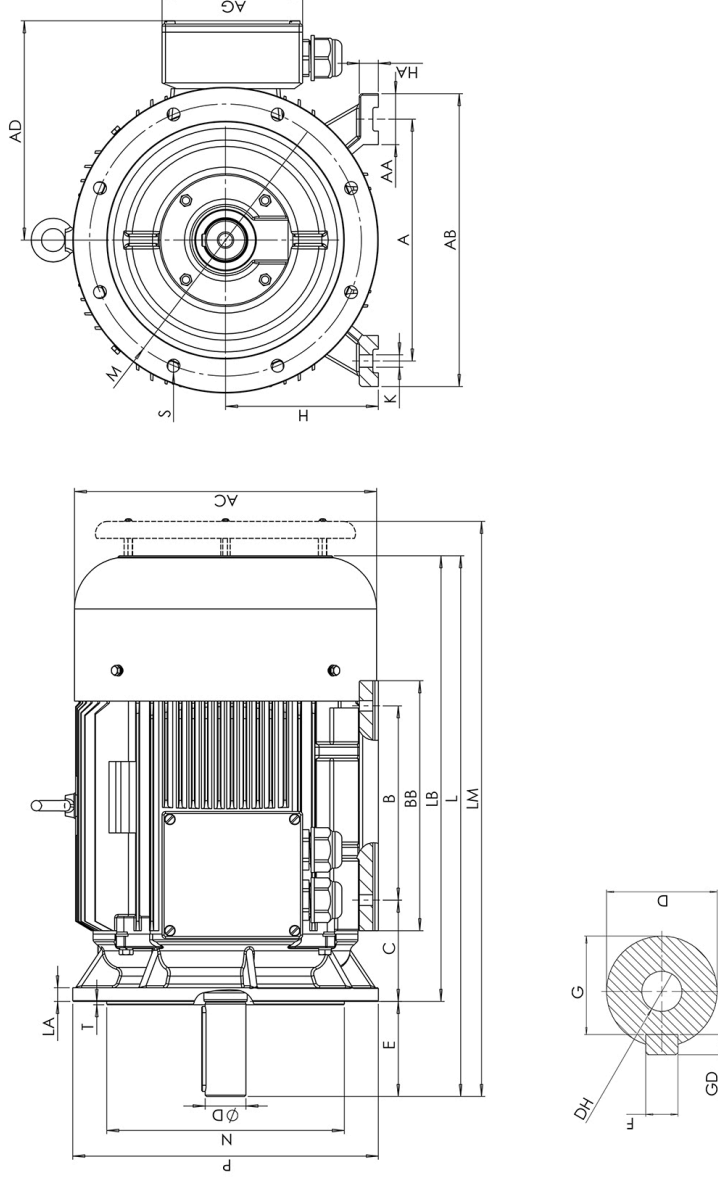
Protection winding	PTC 150°C
Regreasing device	AS+BS

Dimension drawings

Three-Phase-Asynchronous- Motor FCPR 315 MA 4 /PHE IE3AC31MA407



Die Zeichnung dient lediglich als Skizze um Maße darzustellen. Das gelieferte Produkt kann von dieser Skizze abweichen. Die detaillierte Beschreibung des Produkts befindet sich im Datenabschnitt (Seite 1).
The drawing serves only as a sketch to show dimensions. The delivered product may differ from this sketch. The detailed description of the product can be found in the Data section (page 1).



A	AA	AB	AC	AD	AG	B	BB	C	D	E	H	HA	K	L	LM	LA	LB	LD	LL	M	N	P	S	T
508	120	628	620	527	320	457	680	216	80	170	315	45	28	1338	1413	22	1168	427	280	600	550	660	8x24	6
F	G	DH	EB	ED	GD																			
22	71	M20x42	160	5	14																			